



iZone®

Installation and User Manual



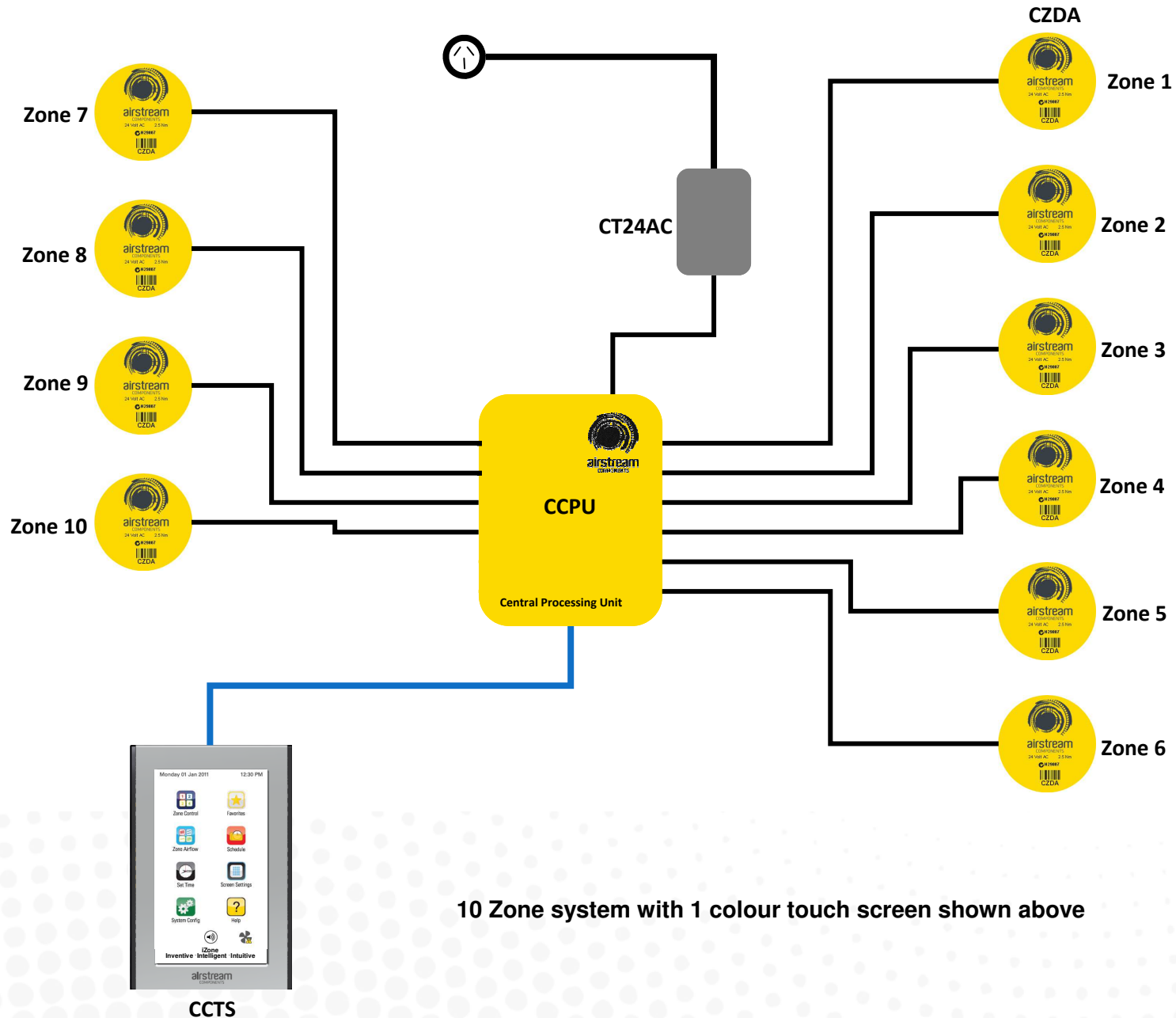
Table of contents

Section	Description	Page No.
1.0	Installation	4
1.1	Standard wiring layout for open / close zone system	4
1.2	Wiring layout when temperature controlled zones are installed	5
1.3	Wiring when more than 3 colour touch screens are installed	6
1.4	Installation instructions	7
2.0	System configuration	8
2.1	Changing the password	8
2.2	Set the number of zones	8
2.3	Set the number of constants	8
2.4	Change the tag lines	8
2.5	Locking / unlocking user airflow volume adjustment	8
2.6	Zone set up	9

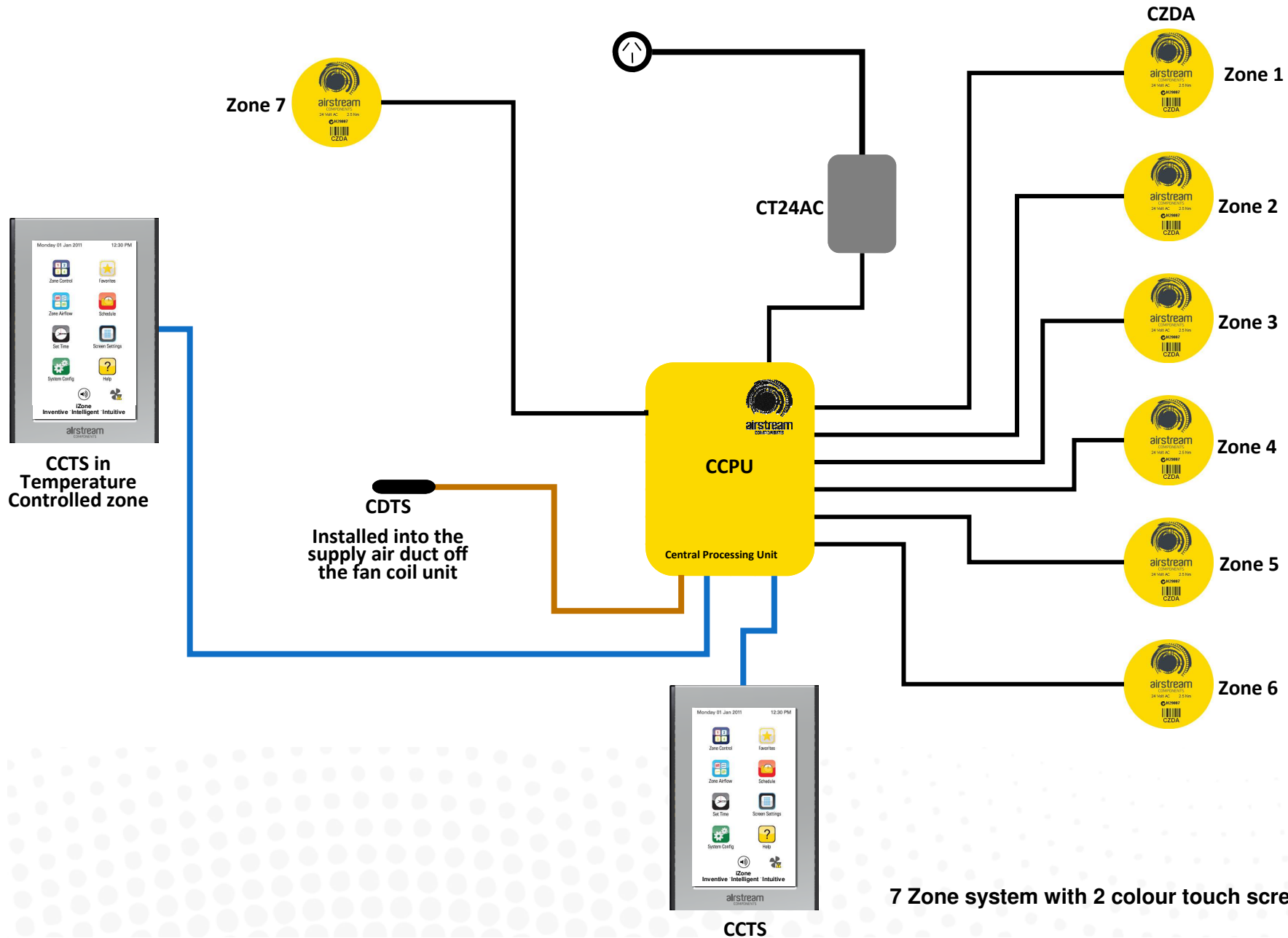
Table of contents

Section	Description	Page No.
3.0	User manual	10
3.0	Home screen	10
3.1	Zone control	11
3.1.1	Edit zone names and settings	12
3.1.2	Adjusting temperature controlled zones	13
3.2	Favorites	14
3.2.1	Assign and edit favorites	15
3.3	Zone airflow summary	16
3.3.1	Changing zone airflows	17
3.4	Schedules	18
3.4.1	Setting and editing a schedule	19
3.5	Setting the time	20
3.6	Setting the home screen colour	21
3.7	Further assistance	22

1.1 Standard wiring layout for open / close zone system

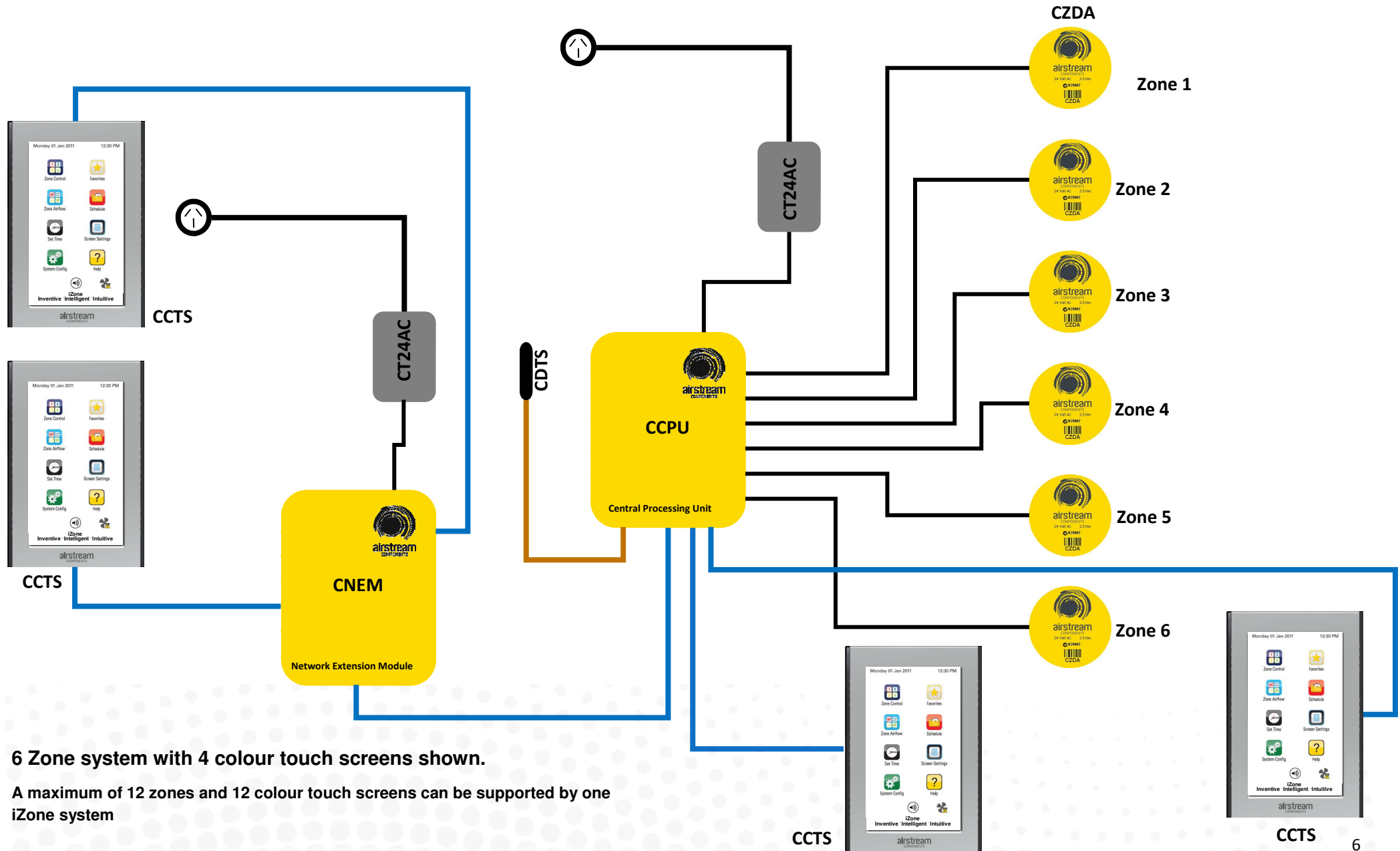


1.2 Wiring layout when temperature controlled zones are installed



7 Zone system with 2 colour touch screens shown above

1.3 Wiring when more than 3 colour touch screens are installed



6 Zone system with 4 colour touch screens shown.

A maximum of 12 zones and 12 colour touch screens can be supported by one iZone system

1.4 Installation instructions

1. The CCPU can be installed on top of the indoor fan coil unit.
2. Do **not** run the blue network cables along side 240 Volt wiring.
3. When installing network cables down wall cavities or chasing network cables into walls, tape up and protect the RJ45 connector to avoid damage to the connectors.
4. Always install zones in consecutive ports starting at Zone 1. The back of the CCPU is marked with the zone port numbers.
5. Do not directly hardwire the CT24V into the AC unit's power supply. This may void the warranty as it will require an electrician in the event that a repair of the iZone system is required.
6. Connect Zone Damper Actuators (CZDA) to the zone ports using the RJ11 cables as shown.
7. Connect the Colour Touch Screens (CCTS) to the CCTS ports using the RJ45 cables. If you are connecting more than 3 CCTS to the system you will need to connect a Network Extension Module (CNEM) to the CCPU using a short RJ45 cable.
8. If any CCTS is being used for zone temperature control connect a Duct Temperature Sensor (CDTS) to the CDTS port. Install the sensor into the supply air duct upstream of all dampers. Secure the sensor in place by using reinforced aluminium tape.
9. Connect the power supply to the(CT24AC) port.
10. When installing temperature controlled zones ensure the CCTS for the associated zone is installed in a location that is representative of the temperature in the room / zone . The CCTS should be installed at approximately 1600mm above the floor and should not be subject to draughts, direct sunlight or heat from equipment such as computers, TV screens etc. The supply air outlets to this room must **not** blow conditioned air directly onto the touch screen, as the temperature sensor is located in the CCTS.

2.0 System configuration

WARNING ! Only qualified iZone installers should configure the iZone System. Incorrect configuration could result in damage to your air conditioning unit and system.

2.1 To configure your system click on the System Config icon on the home page.



Enter the system password “**wamfud**” and press the enter button. The enter button must always be touched to save changes.

2.2-2.5 You will now be in the System Configuration area:

Monday 01 Jan 2011 12:30 PM

System Configuration

System Password *****

No of Zones 10

No of Constants 2

Tag Line

iZone

Inventive · Intelligent · Intuitive

Lock Airflow

Zones Setup

Back

iZone
Inventive · Intelligent · Intuitive

Touch here to change the password

Touch here to edit the number of zones installed

Touch here to edit the number of variable electronic constant zones required

Touch here to edit the first tag line

Touch here to edit the second tag line

Touch here to lock the airflow adjustment function on the user screens

Touch here to set up and configure each zone (see 2.1)

Touch here to unlock the airflow adjustment function on the user screens

2.6 Zone set up

Monday 01 Jan 2011 12:30 PM

Zone 1

80%
Max Airflow

Increase

Decrease

10%
Min Airflow

Increase

Decrease

Constant **No 9**

Climate Control

Open / Close

Next **Previous** **Back**

iZone
Inventive · Intelligent · Intuitive

This is the zone that is currently being configured. If the zone has been named its name will show here

Touch here to go to the home screen

Touch here to increase the maximum airflow to the zone

Touch here to decrease the maximum airflow to the zone

Touch here to increase the minimum airflow to the zone

Touch here to decrease the minimum airflow to the zone

Touch here to make this zone an electronic variable constant


Touch here to make this zone a temperature controlled zone. This must only be done from the screen installed in the temperature controlled zone

Touch here to make this zone an open / close zone

Touch here to proceed to the next zone

Touch here repeatedly if more than one constant zone is required. This will step through the constant numbers. Select which constant you want this zone to be

3.0 User manual

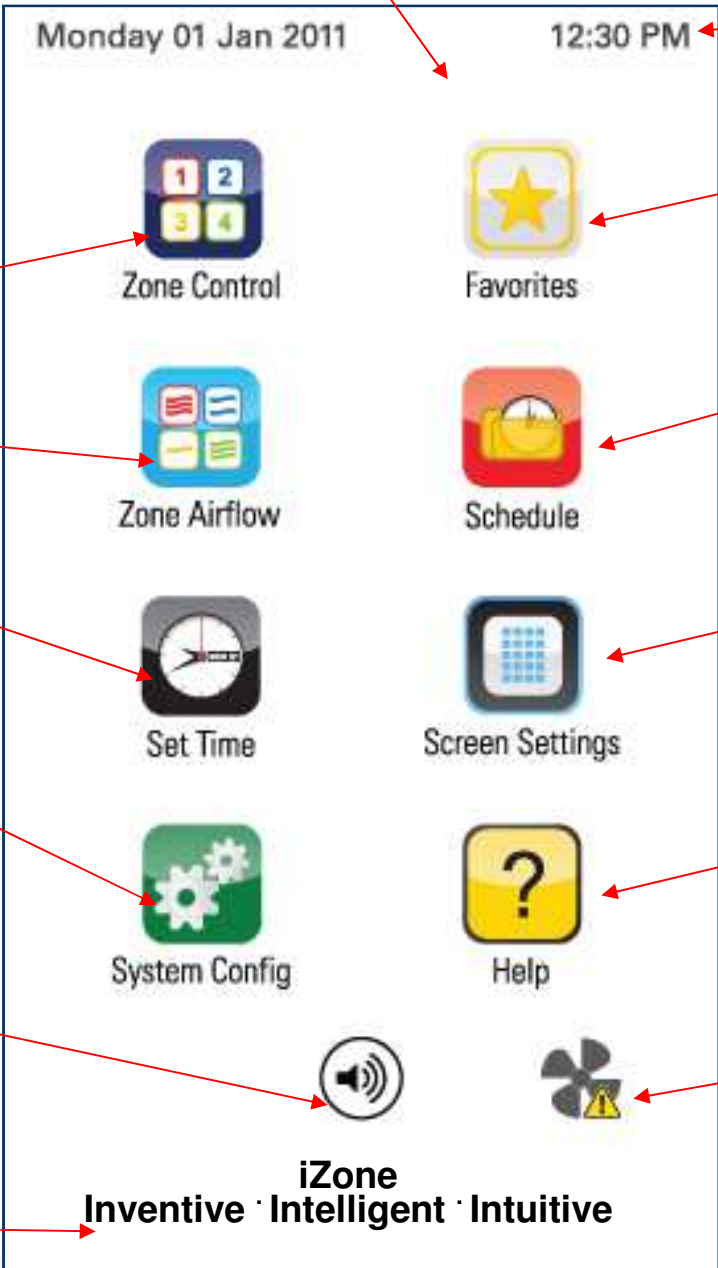
1. To get back to the Home screen at any time press 

3. When entering names or values using the keyboard it is easier to use a thin object such as a toothpick. Do not use sharp, hard objects as they may damage the screen. The enter button must always be pressed to save the changes you have made.



4. Some functions may have been locked by your installer to ensure the commissioned values are not changed. To make changes to these values contact your installation company.

Installing company's tag line this will vary depending on the installation company



Home screen

Monday 01 Jan 2011 12:30 PM

System date and time

Press to activate a favorite mode or to configure a new favorite (3.2)

Press to change zone status (3.1)

Zone Control

Favorites

Press to activate a schedule or to configure a new schedule (3.4)

Zone Airflow

Schedule

Press to set system time (3.5)

Set Time

Screen Settings

Press to change screen settings (3.6)

Press to configure system time (2.0)

System Config

Help

Press to get more help about your iZone system (3.7)

Press to activate or deactivate this screens audio feed back (beep on touch)

A/C system maintenance required. Press here for instructions.

iZone
Inventive · Intelligent · Intuitive

3.1 Zone control

The screenshot shows the 'Zone Summary' screen for Monday 01 Jan 2011 at 12:30 PM. The interface lists several zones with their current status and temperature set points. Red arrows point from descriptive text to specific UI elements.

Zone Name	Status/Mode	Temperature
Zone 1	Climate Control Mode (Key icon)	24.5°C
Living room	Closed (Red 'S' icon)	Closed
Dining room	Climate Control Mode (Key icon)	23.5°C
Kitchen	Open (Green 'S' icon)	Open
Master bedroom	Closed (Key icon)	22.5°C
John bedroom	Closed (Key icon)	23.0°C
Study	Closed (Red 'S' icon)	Closed
Hall	Electronic Constant (Flag icon)	Const

Annotations and their targets:

- Indicates this zone is currently in climate control mode:** Points to the key icon next to 'Zone 1'.
- Indicates Zone 1 temperature set point. Press here to change the Set point. (3.3):** Points to the '24.5°C' value.
- Zone Name. Press to edit zone name and other zone settings (3.2):** Points to the 'Living room' text.
- Indicates this zone is closed. Press here to open the zone:** Points to the 'Closed' button next to 'Living room'.
- Indicates this zone is currently fully open:** Points to the green 'S' icon next to 'Kitchen'.
- Indicates this zone is open. Press here to close the zone:** Points to the 'Open' button next to 'Kitchen'.
- Indicates this zone is currently closed:** Points to the key icon next to 'John bedroom'.
- Indicates this zone is currently be overridden by the system and is being used as a constant because too many zones are closed:** Points to the 'Const' button next to 'Hall'.
- Indicates the hall is an electronic constant and it is currently active:** Points to the flag icon next to 'Hall'.
- Press here to go back to the home page:** Points to the 'Back' button at the bottom right.
- Scroll up or down to see more zones:** Points to the 'Up' and 'Down' navigation buttons at the bottom.

iZone
Inventive · Intelligent · Intuitive

3.1.1 Edit zone names & settings

Monday 01 Jan 2011 12:30 PM

Dining Room

Current zone being edited

System zone number and display name → **Zone 3 Dining Room**

Press to edit zone name

Current zone status → **Status Climate Control**

Press to edit current zone status

Zone maximum and minimum air flow set points → **Max Airflow 80%**

Press to change maximum and minimum airflow set points

→ **Min Airflow 10%**

Status of this zone if it has been selected as an electronic constant → **Constant Zone Inactive**

10%
Min Airflow

Increase

Press to increase or decrease air flow set point

Decrease

Next Previous Back

iZone
Inventive · Intelligent · Intuitive

3.1.2 Adjusting temperature controlled zones

Monday 01 Jan 2011 12:30 PM

Dining Room

Indicates current zone being adjusted

Indicates current temperature set point required for this zone. Your air conditioning unit temperature set point should be set approximately 2°C below your lowest zone set point in summer and approximately 2°C above your highest zone set point in winter

23.5°C Setpoint

Increase

Decrease

Press here to increase the current zone set point temperature

Press here to decrease the current zone set point temperature

Open

Close

Press here to fully open this zone

Press here to close this zone

Climate Control

Press here to allow iZone to automatically control the temperature in this zone

23.5°C Actual Temp

22.5°C In Duct Temp

Indicates the actual temperature in this zone (as measured by iZone)

Indicates the current temperature of the air inside the air conditioning system ductwork

Next Previous Back

Scroll up or down to see more zones

Press here to go back to the zone summary

iZone
Inventive · Intelligent · Intuitive

3.2 Favorites

Press the favorite you would like and iZone will automatically change all the zones settings for this favorite

Indicates this favorite has not been used

Press here to setup and edit favorites (3.2.1)



3.2.1 Assign and edit favorites

Indicates current favorite being changed

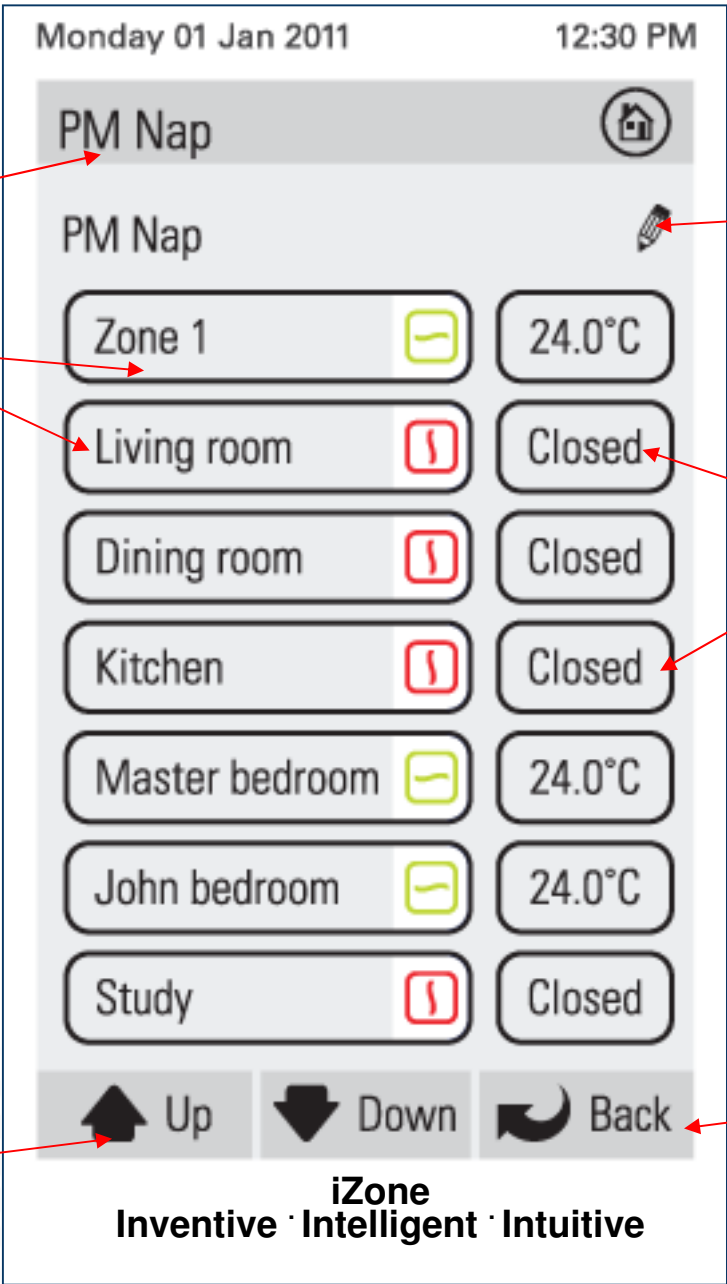
Zone names

Press here to change the name of this Favorite

Indicates what mode you want each zone to operate in when this favorite is used. Change each zone setting to suit your requirements for this favorite

Scroll up or down to see more zones

Press here to go back to the favorites summary



3.3 Zone airflow summary

The screenshot displays the 'Zone Airflow' control interface. At the top, it shows the date 'Monday 01 Jan 2011' and the time '12:30 PM'. Below this is a blue header bar with the title 'Zone Airflow' and a home icon. The main area contains a list of zones, each with a name and two percentage settings: 'MIN' (minimum) and 'MAX' (maximum). The zones listed are Zone 1, Living room, Dining room, Kitchen, Master bedroom, John bedroom, Study, and Hall. The 'MIN' settings are 10% for all zones except Living room (30%), and the 'MAX' settings are 80% for all zones except Living room (90%). At the bottom, there are three navigation buttons: 'Up' (up arrow), 'Down' (down arrow), and 'Back' (curved arrow). The iZone logo and tagline 'Inventive · Intelligent · Intuitive' are at the very bottom.

Zone Name	MIN (%)	MAX (%)
Zone 1	10%	80%
Living room	30%	90%
Dining room	10%	80%
Kitchen	10%	80%
Master bedroom	10%	80%
John bedroom	10%	80%
Study	10%	80%
Hall	10%	80%

Annotations:

- Zone name (points to 'Living room')
- Indicates current minimum air flow setting to this zone (points to '10% MIN' for Zone 1)
- Indicates current maximum air flow setting to this zone (points to '80% MAX' for Dining room)
- Press here to change the zone air flow settings 3.3.1 (points to '80% MAX' for Master bedroom)
- Scroll up or down to see more zones (points to the 'Up' and 'Down' buttons)

iZone
Inventive · Intelligent · Intuitive

3.3.1 Changing zone airflows

Monday 01 Jan 2011 12:30 PM

Living Room

Indicates current zone that you are changing the air flow

Indicates the current maximum airflow setting for this zone

90% Max Airflow

Increase

Decrease

Press here to increase the maximum airflow to this zone

Press here to decrease the maximum airflow to this zone

Indicates the current minimum airflow setting for this zone (This is usually set at 0%)

30% Min Airflow

Increase

Decrease

Press here to increase the minimum airflow to this zone

Press here to decrease the minimum airflow to this zone

Next Previous Back

Scroll up or down to see more zones

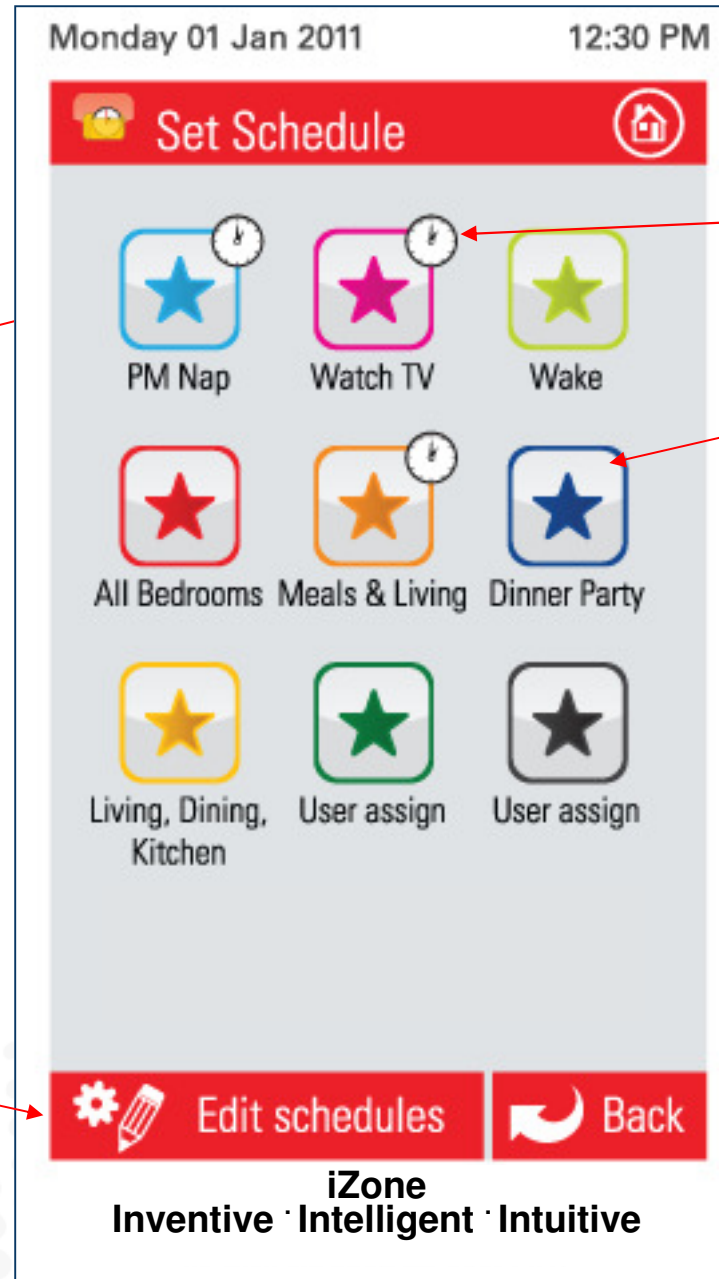
Press here to go back to the airflow summary

iZone
Inventive · Intelligent · Intuitive

3.4 Schedules

Any of your favorites can be set to automatically start at any time of your choosing. Press here to enable the time based schedule for favorite PM Nap

Press here to set up or edit a schedule on any favorite (3.4.1)



Indicates an automatic time schedule as been enabled for this favorite

Indicates no automatic time schedule as been enabled for this favorite

3.4.1 Setting and editing a schedule

Monday 01 Jan 2011 12:30 PM

PM Nap

24Hr Time Format

START - 14:00

Mon Tue Wed Thu Fri Sat Sun

Delete this schedule

1 2 3 4 5 6 7 8 9 0

Q W E R T Y U I O P

A S D F G H J K L

Z X C V B N M , . /

Space

Next Previous Back

iZone
Inventive · Intelligent · Intuitive

Indicates current schedule that you are changing or setting

Indicates the start time for this schedule

Indicates the days this schedule will apply. Press to stop the schedule running on this day.

Indicates the days this schedule will not run. Press the day you want the schedule to apply to

Press here delete this schedule

Press the key pad to change the time. Remember it is in 24 hour format so for 2:30am type in 0230

Press the enter button to save your new setting

Press next to see the next schedule

Press here to go back to the schedule summary

3.5 Setting the time

Monday 01 Jan 2011 12:30 PM

Set Time

24Hr Time Format

12:30

01 / 01 / 2011
Date / Month / Year

1 2 3 4 5 6 7 8 9 0
Q W E R T Y U I O P
A S D F G H J K L ←
Z X C V B N M , . /
← → ↑ Space ←

Back

iZone
Inventive · Intelligent · Intuitive

Current time →

Current date →

Indicates the minutes are be changed

Press the left or right arrows to move to the value you want to change

You must press the enter button to save the changes you have made

3.6 Changing the home screen colour

Monday 01 Jan 2011 12:30 PM

Screen Settings

Screen Adjustments

Brightness

Contrast

Saturation

Background Select

Back

iZone
Inventive · Intelligent · Intuitive

Slide left / right to adjust the screen brightness

Slide left / right to adjust the screen saturation

Slide left / right to adjust the screen contrast

Press the colour you would like for your home screen. Fine adjustments to the shade, tone, hue can be made using the brightness, contrast and saturation slides

Press here to go back to the home screen

3.7 Further assistance

1. If your zone airflow adjustment has been locked you will need to contact your installation company to arrange for them to unlock this setting.
2. If you require warranty or maintenance on your air conditioning system or iZone system you should contact your installation company.
3. If you want to add more zones or temperature control to any zone you should contact your installation company
4. If you require assistance operating your iZone contact
Airstream Components
www.air-stream.com.au
info@air-stream.com.au
Phone 08 6254 2486